



Catálogo de Porta Molde de 2 Placas

polimold

Série

A SÉRIE do porta-molde é determinada inicialmente de acordo com a área útil para a usinagem das cavidades, que é calculada a partir das dimensões do produto a ser injetado e das considerações técnicas de funcionamento do molde. Na página de “Séries e Dimensões” encontram-se as cotas que permitem definir a SÉRIE de acordo com a área útil (cotas X e Y).

Tipo

O tipo do molde especifica a largura das placas PB's (Placa Base Superior e Inferior)

MOLDE TIPO 2: Porta-molde fornecido com rasgo de fixação

MOLDE TIPO 4: Porta-molde fornecido com ABA.

Sub-Série

A SUB-SÉRIE será determinada pela espessura das placas cavidades que estão associadas a altura do produto, detalhes de refrigeração, inserção de gavetas entre outras características funcionais. A SUB-SÉRIE é a identificação das espessuras das placas P1 e P2 e seus valores estão descritos na tabela “SUB-SÉRIES”.

Aço

Os aços de construção dos Polimolds foram desenvolvidos para aplicações diferenciadas. As placas que compõem a estrutura de um Polimold, são fornecidas em aço SAE 1045 e as placas cavidades podem ser fornecidas nos seguintes aços:

Aço 1: Corresponde ao aço SAE1045 (DIN 1.1730), de fácil usinabilidade e é indicado para moldes com alojamento de postigos.

Aço 3: Corresponde ao aço P20, recomendado para usinagem de cavidade diretamente nas placas. Fornecido com dureza de 28 a 34 HRC, é de excelente usinabilidade e possibilita excelente polimento além de contribuir para a vida útil do molde.

**Os Polimolds podem ainda serem fornecidos com outros tipos de aços mediante prévia consulta.*

Curso

Os Polimolds possuem 3 cursos de extração padronizados para cada SÉRIE de molde, este curso deve ser determinado em função da altura necessária para extrair o produto (veja tabela de CURSOS)

Montagem

Existem 6 opções diferentes de montagens, elas determinam a inclusão ou posição das guias das extratoras e dos pinos de retorno.

Colunamento

A Polimold padronizou 3 modelos de colunamento, escolha o mais adequado ao seu projeto.

- Colunamento “A”: Guia nas placas cavidades P1 e P2.
- Colunamento “B”: Guia parcial do molde com alinhamento preciso entre as placas cavidades P1 e P2 e nas placas Superior e Suporte.
- Colunamento “C”: Guia completo com alinhamento preciso e seguro em todas as placas do Polimold.

Condições Gerais

Os Polimolds com tamanho entre 15.15 e 20.20 podem ser fornecidos opcionalmente com 4 colunas no conjunto extrator, para isso as coordenadas devem ser fornecidas pelo cliente.

Nos Polimolds acima de 50.50 o conjunto extrator pode ser fornecido opcionalmente com seis colunas guias e seis EP's, desde que as coordenadas sejam informadas.

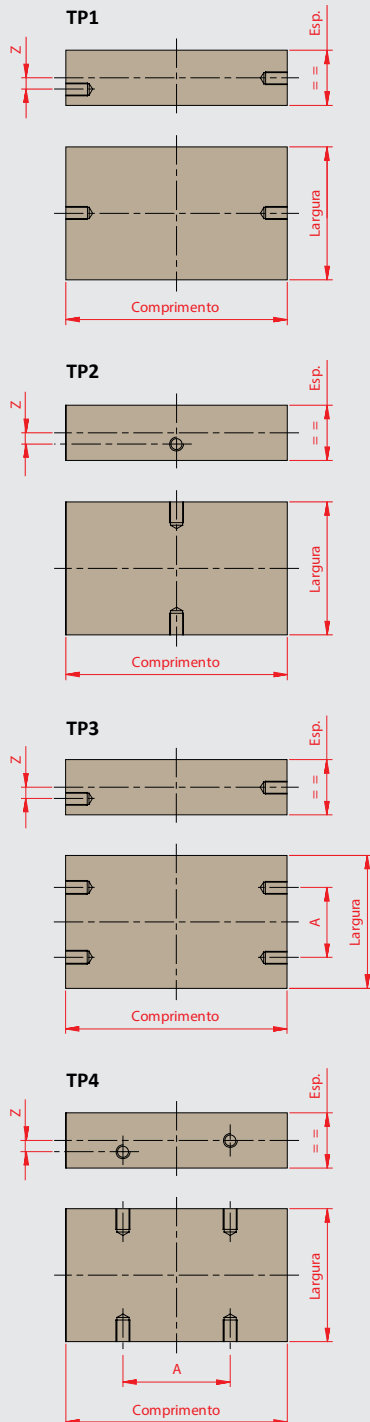
As placas cavidades com espessura igual ou superior a 156mm possuem alívio no ajuste dos furos e componentes.

Nas montagens 4, 5 e 6 os pinos de retorno seguem avulsos na embalagem.

Os moldes de série acima de 50-80 podem ser fornecidos com coluna de diâmetro (D2) 60,00mm ou 70,00 mm desde que sejam informadas as coordenadas de montagem.

Roscas para Transporte

Os ganchos são necessários para placas acima de 120kg /ou área acima de 500 x 500mm, os mesmos seguem centralizados na espessura da placa, exceto quando informado a dimensão "Z". Nos tipos 3 e 4 é necessário informar a medida "A".



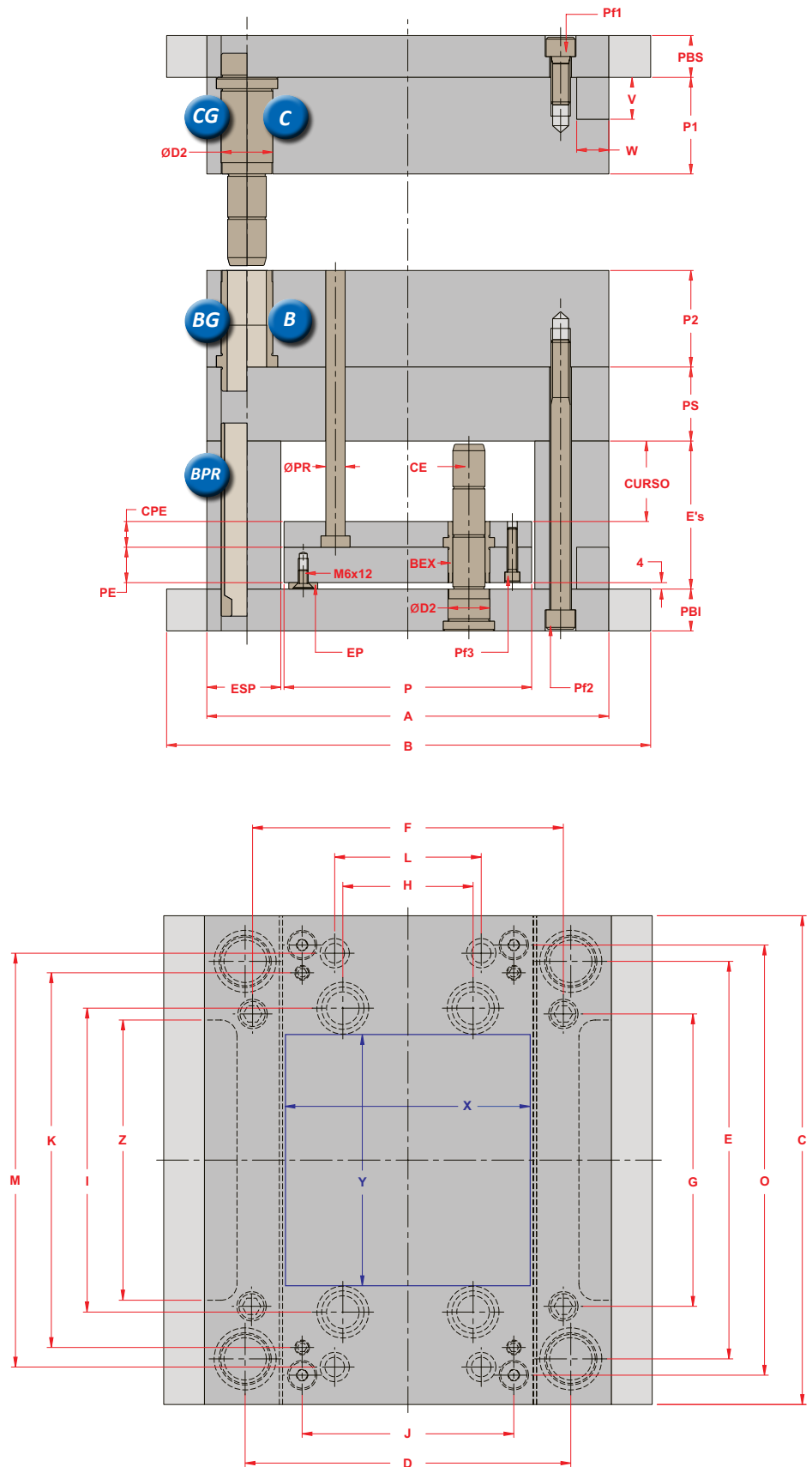
Legenda:

Esp. = Espessura da Placa

A = Distância entre Centros dos Ganchos

Z = Distância Deslocada do Centro da Esp.

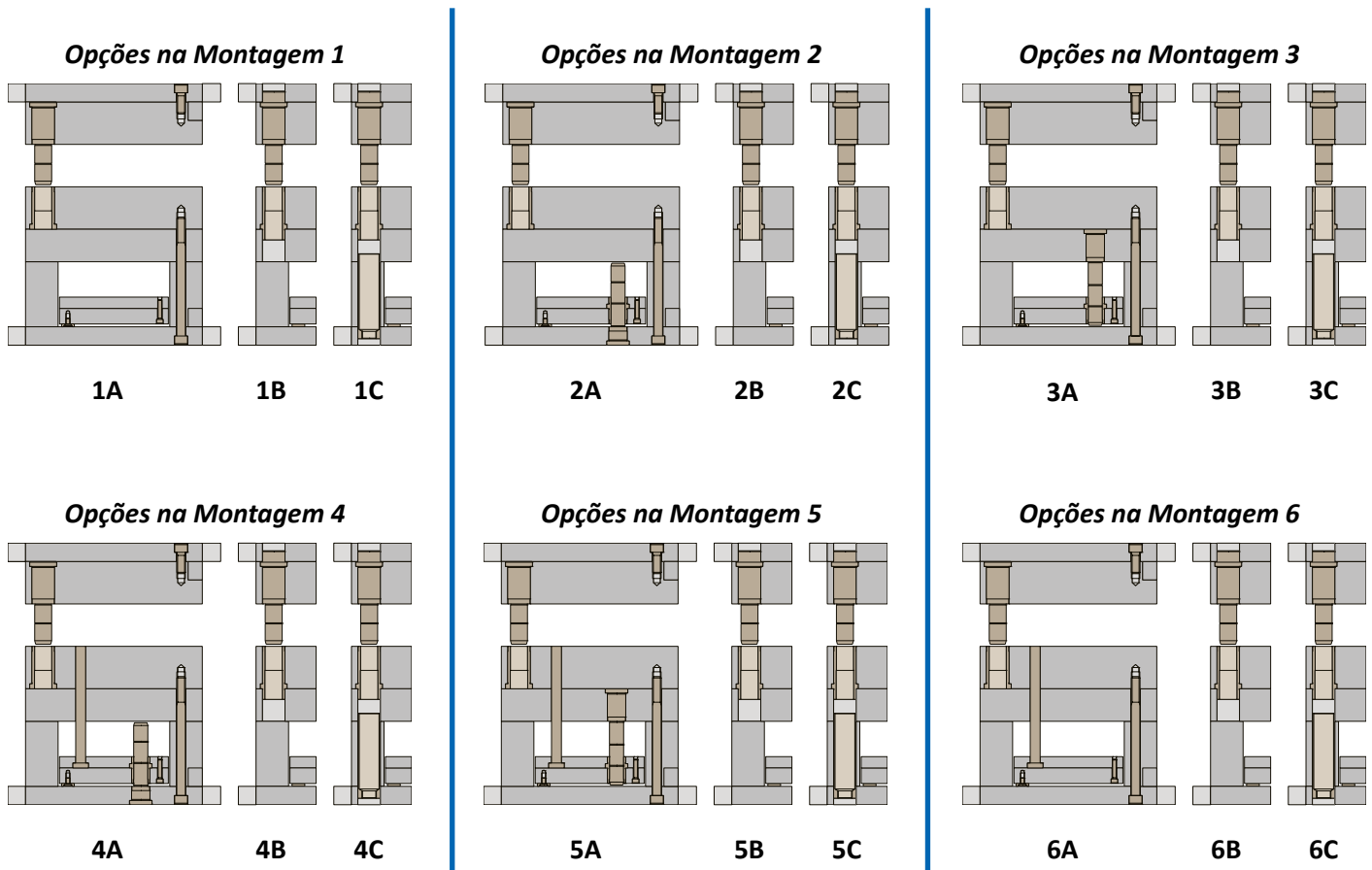
Vistas Com Dimensões



Os novos Polimolds são fornecidos com uma coluna de diâmetro menor na ponta em substituição ao furo deslocado

Tipos de Montagens

Os Polimolds possuem 18 tipos diferentes de montagem com variações de “colunamento”, escolha a que melhor se encaixa em sua necessidade.



Solicitando seu Polimold

Para efetuar o pedido de seu Polimold foi criada uma sequência de informações que facilitará e agilizará este processo, observe o exemplo ao lado:

Tamanho do Molde - Série					
Tipo de Molde					
Sub-Série					
Tipo de Aço					
Curso de Extração					
Tipo de Montagem					
2535	2	08	3	2	5A



Conheça também toda a Linha de Extratores

A linha de Extratores Polimold possui diversas opções de tamanhos facilitando seu projeto. Fabricada com aço H13 e excelente nível de acabamento, proporcionando maior durabilidade.

Saiba mais em <http://www.polimold.com.br>

Série	Molde	Dimensões de Placas											
		Comprimento - Largura				Área Útil		Espessura das Placas					
		A	B	C	P	X	Y	PBS	PS	ESP	CPE	PE	PBI
15.15	156 156	156,0	206,0	156,0	90,0	88,0	42,0	22,0	27,0	32,0	9,0	17,0	22,0
15.20	156 196	156,0	206,0	196,0	90,0	88,0	82,0	22,0	27,0	32,0	9,0	17,0	22,0
15.25	156 246	156,0	196,0	246,0	90,0	88,0	132,0	22,0	27,0	32,0	9,0	17,0	22,0
20.20	196 196	196,0	246,0	196,0	118,0	116,0	72,0	22,0	27,0	38,0	12,0	17,0	22,0
20.25	196 246	196,0	246,0	246,0	108,0	106,0	122,0	27,0	36,0	43,0	12,0	17,0	27,0
20.30	196 296	196,0	246,0	296,0	108,0	106,0	160,0	27,0	36,0	43,0	12,0	17,0	27,0
20.35	196 346	196,0	246,0	346,0	108,0	106,0	210,0	27,0	36,0	43,0	12,0	17,0	27,0
20.40	196 396	196,0	246,0	396,0	108,0	106,0	260,0	36,0	36,0	43,0	17,0	22,0	36,0
25.25	246 246	246,0	296,0	246,0	158,0	156,0	96,0	27,0	36,0	43,0	12,0	17,0	27,0
25.30	246 296	246,0	296,0	296,0	158,0	156,0	146,0	27,0	36,0	43,0	12,0	17,0	27,0
25.35	246 346	246,0	296,0	346,0	158,0	156,0	196,0	27,0	46,0	43,0	17,0	22,0	27,0
25.40	246 396	246,0	296,0	396,0	150,0	148,0	246,0	36,0	46,0	47,0	17,0	22,0	36,0
25.45	246 446	246,0	296,0	446,0	158,0	156,0	296,0	36,0	46,0	43,0	17,0	22,0	36,0
25.50	246 496	246,0	296,0	496,0	158,0	156,0	346,0	36,0	46,0	43,0	17,0	22,0	36,0
30.30	296 296	296,0	346,0	296,0	208,0	206,0	146,0	27,0	46,0	43,0	12,0	17,0	27,0
30.35	296 346	296,0	346,0	346,0	208,0	206,0	196,0	36,0	46,0	43,0	17,0	22,0	36,0
30.40	296 396	296,0	346,0	396,0	200,0	198,0	246,0	36,0	46,0	47,0	17,0	22,0	36,0
30.45	296 446	296,0	346,0	446,0	208,0	206,0	296,0	36,0	46,0	43,0	17,0	22,0	36,0
30.50	296 496	296,0	346,0	496,0	208,0	206,0	346,0	36,0	46,0	43,0	17,0	22,0	36,0
35.35	346 346	346,0	396,0	346,0	258,0	256,0	196,0	36,0	46,0	43,0	17,0	22,0	36,0
35.40	346 396	346,0	396,0	396,0	218,0	216,0	238,0	36,0	46,0	62,0	17,0	22,0	36,0
35.45	346 446	346,0	396,0	446,0	218,0	216,0	288,0	36,0	46,0	62,0	17,0	22,0	36,0
35.50	346 496	346,0	396,0	496,0	218,0	216,0	338,0	36,0	46,0	62,0	17,0	22,0	36,0
35.55	346 546	346,0	396,0	546,0	218,0	216,0	388,0	36,0	46,0	62,0	22,0	27,0	36,0
35.60	346 596	346,0	396,0	596,0	218,0	216,0	438,0	36,0	46,0	62,0	22,0	27,0	36,0
40.40	396 396	396,0	446,0	396,0	268,0	266,0	238,0	36,0	46,0	62,0	17,0	22,0	36,0
40.45	396 446	396,0	446,0	446,0	268,0	266,0	288,0	36,0	46,0	62,0	17,0	22,0	36,0
40.50	396 496	396,0	446,0	496,0	268,0	266,0	338,0	36,0	46,0	62,0	22,0	27,0	36,0
40.55	396 546	396,0	496,0	546,0	268,0	266,0	388,0	36,0	46,0	62,0	17,0	27,0	36,0
40.60	396 596	396,0	496,0	596,0	268,0	266,0	438,0	36,0	46,0	62,0	22,0	27,0	36,0
45.45	446 446	446,0	546,0	446,0	318,0	316,0	288,0	36,0	46,0	62,0	17,0	27,0	36,0
45.50	446 496	446,0	546,0	496,0	318,0	316,0	338,0	36,0	56,0	62,0	22,0	27,0	36,0
45.55	446 546	446,0	546,0	546,0	318,0	316,0	388,0	36,0	56,0	62,0	22,0	27,0	36,0
45.60	446 596	446,0	546,0	596,0	318,0	316,0	438,0	36,0	56,0	62,0	22,0	27,0	36,0
45.70	446 696	446,0	546,0	696,0	318,0	316,0	538,0	36,0	56,0	62,0	27,0	36,0	36,0
50.50	496 496	496,0	596,0	496,0	368,0	366,0	322,0	36,0	56,0	62,0	27,0	36,0	36,0
50.55	496 546	496,0	596,0	546,0	368,0	366,0	372,0	36,0	56,0	62,0	27,0	36,0	36,0
50.60	496 596	496,0	596,0	596,0	368,0	366,0	422,0	36,0	56,0	62,0	27,0	36,0	36,0
50.70	496 696	496,0	596,0	696,0	368,0	366,0	522,0	36,0	56,0	62,0	27,0	36,0	36,0
50.80	496 796	496,0	596,0	796,0	324,0	322,0	598,0	46,0	76,0	84,0	27,0	36,0	46,0
55.55	546 546	546,0	646,0	546,0	418,0	416,0	372,0	46,0	76,0	62,0	27,0	36,0	46,0
55.60	546 596	546,0	646,0	596,0	418,0	416,0	422,0	46,0	76,0	62,0	27,0	36,0	46,0
55.70	546 696	546,0	646,0	696,0	418,0	416,0	522,0	46,0	76,0	62,0	27,0	36,0	46,0
55.80	546 796	546,0	646,0	796,0	374,0	372,0	598,0	56,0	76,0	84,0	27,0	36,0	56,0
55.90	546 896	546,0	646,0	896,0	374,0	372,0	698,0	56,0	76,0	84,0	27,0	36,0	56,0
60.60	596 596	596,0	696,0	596,0	468,0	466,0	422,0	46,0	76,0	62,0	27,0	36,0	46,0
60.70	596 696	596,0	696,0	696,0	424,0	422,0	498,0	56,0	76,0	84,0	27,0	36,0	56,0
60.80	596 796	596,0	696,0	796,0	424,0	422,0	598,0	56,0	76,0	84,0	27,0	36,0	56,0
60.90	596 896	596,0	696,0	896,0	424,0	422,0	698,0	56,0	76,0	84,0	27,0	36,0	56,0
70.70	696 696	696,0	796,0	696,0	524,0	522,0	498,0	56,0	76,0	84,0	27,0	36,0	56,0
70.80	696 796	696,0	796,0	796,0	524,0	522,0	598,0	56,0	76,0	84,0	27,0	36,0	56,0
70.90	696 896	696,0	796,0	896,0	524,0	522,0	698,0	56,0	76,0	84,0	27,0	36,0	56,0
70.100	696 996	696,0	796,0	996,0	524,0	522,0	798,0	56,0	76,0	84,0	27,0	36,0	56,0

Série	Molde	Coordenadas de Bucha e Coluna			Coordenada de Fixação do Molde			Coordenada das Guias da Extratora			Coord de Fixação da Extratora			Coordenada do Pino de Retorno			Coordenada de Encosto Padrão			Dimensões de Rasgo de Fixação		
		D	E	D2	F	G	Pf1/2	H	I	D2	J	K	Pf3	L	M	DIA	J	O	DIA	W	V	Z
15.15	156 156	122	122	20	122	72	M10	0*	70	20	68	100	M8	40	126	10	68	136	18	15	27	66
15.20	156 196	120	156	20	126	114	M10	0*	110	20	68	140	M8	40	166	10	68	172	18	15	27	102
15.25	156 246	122	212	20	122	162	M10	0*	160	20	68	186	M8	40	216	10	68	224	18	15	27	150
20.20	196 196	154	152	26	154	100	M10	0*	100	20	96	132	M8	62	160	10	96	166	18	20	27	88
20.25	196 246	150	202	26	148	150	M10	46	150	20	90	182	M8	56	210	10	90	216	18	20	27	138
20.30	196 296	150	244	30	150	186	M12	40	194	26	90	230	M8	56	260	10	90	266	18	20	27	172
20.35	196 346	150	294	30	150	236	M12	40	244	26	90	280	M8	56	310	10	90	314	18	20	27	222
20.40	196 396	144	344	30	144	274	M12	40	294	26	90	330	M8	56	360	10	90	364	18	20	27	260
25.25	246 246	200	200	30	200	130	M12	80	130	26	130	180	M8	90	204	12	130	214	18	20	27	116
25.30	246 296	200	244	30	200	186	M12	80	180	26	130	230	M8	90	254	12	130	264	18	20	27	172
25.35	246 346	194	294	30	194	224	M12	86	230	26	136	286	M8	96	304	12	136	324	18	20	27	210
25.40	246 396	198	340	30	198	284	M12	72	280	26	122	330	M8	82	354	12	122	364	18	20	27	270
25.45	246 446	194	394	30	194	324	M12	80	330	26	130	380	M8	90	404	12	130	414	18	20	27	310
25.50	246 496	194	444	30	194	374	M12	80	380	26	130	430	M8	90	454	12	130	464	18	20	27	360
30.30	296 296	250	244	30	250	186	M12	130	180	26	180	230	M8	140	254	14	180	266	18	20	27	172
30.35	296 346	244	294	30	244	224	M12	136	230	26	186	286	M8	146	304	14	186	324	18	20	27	210
30.40	296 396	248	340	30	248	284	M12	126	280	26	176	330	M8	136	354	14	176	364	18	20	27	270
30.45	296 446	244	394	30	244	324	M12	134	330	26	184	380	M8	144	404	14	184	414	18	20	27	310
30.50	296 496	244	444	30	244	374	M12	128	380	26	180	418	M10	140	454	14	180	464	18	20	27	360
35.35	346 346	294	294	30	294	224	M12	186	230	26	236	286	M8	196	304	14	236	324	18	22	27	210
35.40	346 396	274	316	42	274	230	M16	134	276	30	190	320	M10	148	354	14	190	366	18	22	30	212
35.45	346 446	274	374	42	274	280	M16	130	326	30	186	364	M10	144	404	14	186	414	18	22	30	262
35.50	346 496	274	416	42	274	330	M16	134	376	30	190	420	M10	148	454	14	190	466	18	22	30	312
35.55	346 546	274	474	42	274	380	M16	134	426	30	190	470	M10	148	504	14	190	516	18	22	30	362
35.60	346 596	274	524	42	274	430	M16	134	476	30	190	520	M10	148	554	14	190	566	18	22	30	412
40.40	396 396	324	324	42	324	230	M16	180	276	30	236	314	M10	194	354	16	236	364	24	22	30	212
40.45	396 446	324	374	42	324	280	M16	184	326	30	240	364	M10	198	404	16	240	414	24	22	30	262
40.50	396 496	324	424	42	324	330	M16	184	376	30	240	414	M10	198	454	16	240	460	24	22	30	312
40.55	396 546	324	466	42	324	380	M16	184	426	30	240	464	M10	198	504	16	240	510	24	22	30	362
40.60	396 596	324	524	42	324	430	M16	184	476	30	240	514	M10	198	554	16	240	560	24	22	30	412
45.45	446 446	374	374	42	374	280	M16	230	326	30	286	364	M10	244	404	16	286	414	24	25	30	262
45.50	446 496	374	424	42	374	330	M16	230	376	30	286	414	M10	244	454	16	286	464	24	25	30	312
45.55	446 546	374	474	42	374	380	M16	230	426	30	286	464	M10	244	504	16	286	514	24	25	30	362
45.60	446 596	374	524	42	374	430	M16	230	476	30	286	514	M10	244	554	16	286	564	24	25	30	412
45.70	446 696	374	624	42	374	530	M16	230	576	30	286	614	M10	244	654	16	286	664	24	25	30	512
50.50	496 496	424	424	42	424	330	M16	280	360	30	336	414	M10	286	446	20	336	464	24	25	30	312
50.55	496 546	424	474	42	424	380	M16	280	410	30	336	464	M10	286	496	20	336	514	24	25	30	362
50.60	496 596	424	524	42	424	430	M16	280	460	30	336	514	M10	286	546	20	336	564	24	25	30	412
50.70	496 696	424	624	42	424	530	M16	280	560	30	336	614	M10	286	646	20	336	664	24	25	30	512
50.80	496 796	392	692	54	392	574	M20	218	648	42	288	710	M12	236	746	20	288	764	24	25	30	552
55.55	546 546	474	474	42	474	380	M16	330	410	30	386	464	M10	336	496	20	386	514	24	25	30	362
55.60	546 596	474	524	42	474	430	M16	330	460	30	386	514	M10	336	546	20	386	564	24	25	30	412
55.70	546 696	474	624	42	474	530	M16	330	560	30	386	614	M10	336	646	20	386	664	24	25	30	512
55.80	546 796	442	692	54	442	574	M20	268	648	42	338	710	M12	286	746	20	338	764	24	25	30	552
55.90	546 896	442	792	54	442	674	M20	268	748	42	338	810	M12	286	846	20	338	864	24	25	30	652
60.60	596 596	524	524	42	524	430	M16	380	460	30	436	514	M10	386	546	20	436	564	24	25	30	412
60.70	596 696	492	592	54	492	474	M20	318	548	42	388	610	M12	336	646	20	388	664	24	25	30	452
60.80	596 796	492	692	54	492	574	M20	318	648	42	388	710	M12	336	746	20	388	764	24	25	30	552
60.90	596 896	492	792	54	492	674	M20	318	748	42	388	810	M12	336	846	20	388	864	24	25	30	652
70.70	696 696	592	592	54	592	474	M20	418	548	42	488	610	M12	436	646	20	488	664	24	25	30	452
70.80	696 796	592	692	54	592	574	M20	418	648	42	488	710	M12	436	746	20	488	764	24	25	30	552
70.90	696 896	592	792	54	592	674	M20	418	748	42	488	810	M12	436	846	20	488	864	24	25	30	652
70.100	696 996	592	892	54	592	774	M20	418	848	42	488	910	M12	436	946	20	488	964	24	25	30	752

Sub-Série	de 156x156 a 156x246		de 196x196 a 346x346		de 346x396 a 396x596		de 446x446 a 496x696		de 496x796 a 696x996	
	P1	P2	P1	P2	P1	P2	P1	P2	P1	P2
1	22	22	27	27	36	36	36	36	56	56
2	22	27	27	36	36	46	36	46	56	66
3	22	36	27	46	36	56	36	56	56	76
4	22	46	27	56	36	66	36	66	56	96
5	22	56	27	66	36	76	36	76	56	116
6	22	66	27	76	36	96	36	96	56	136
7	27	22	27	96	36	116	36	116	56	156
8	27	27	36	27	46	36	36	136	56	196
9	27	36	36	36	46	46	46	36	66	56
10	27	46	36	46	46	56	46	46	66	66
11	27	56	36	56	46	66	46	56	66	76
12	27	66	36	66	46	76	46	66	66	96
13	36	22	36	76	46	96	46	76	66	116
14	36	27	36	96	46	116	46	96	66	136
15	36	36	46	27	56	36	46	116	66	156
16	36	46	46	36	56	46	46	136	66	196
17	36	56	46	46	56	56	56	36	76	56
18	36	66	46	56	56	66	56	46	76	66
19	46	22	46	66	56	76	56	56	76	76
20	46	27	46	76	56	96	56	66	76	96
21	46	36	46	96	56	116	56	76	76	116
22	46	46	56	27	66	36	56	96	76	136
23	46	56	56	36	66	46	56	116	76	156
24	46	66	56	46	66	56	56	136	76	196
25	56	22	56	56	66	66	66	36	96	56
26	56	27	56	66	66	76	66	46	96	66
27	56	36	56	76	66	96	66	56	96	76
28	56	46	56	96	66	116	66	66	96	96
29	56	56	66	27	76	36	66	76	96	116
30	56	66	66	36	76	46	66	96	96	136
31	66	22	66	46	76	56	66	116	96	156
32	66	27	66	56	76	66	66	136	96	196
33	66	36	66	66	76	76	76	36	116	56
34	66	46	66	76	76	96	76	46	116	66
35	66	56	66	96	76	116	76	56	116	76
36	66	66	76	27	96	36	76	66	116	96
37			76	36	96	46	76	76	116	116
38			76	46	96	56	76	96	116	136
39			76	56	96	66	76	116	116	156
40			76	66	96	76	76	136	116	196
41			76	76	96	96	96	36	136	56
42			76	96	96	116	96	46	136	66
43			96	27	116	36	96	56	136	76
44			96	36	116	46	96	66	136	96
45			96	46	116	56	96	76	136	116
46			96	56	116	66	96	96	136	136
47			96	66	116	76	96	116	136	156
48			96	76	116	96	96	136	136	196
49			96	96	116	116	116	36	156	56
50							116	46	156	66
51							116	56	156	76
52							116	66	156	96
53							116	76	156	116
54							116	96	156	136
55							116	116	156	156
56							116	136	156	196
57							136	36	196	56
58							136	46	196	66
59							136	56	196	76
60							136	66	196	96
61							136	76	196	116
62							136	96	196	136
63							136	116	196	156
64							136	136	196	196

Série	Molde	Curso 1		Curso 2		Curso 3	
		Curso	Altura "E's"	Curso	Altura "E's"	Cursos	Altura "E's"
15.15	156 156	16	46	26	56	46	76
15.20	156 196	16	46	26	56	46	76
15.25	156 246	16	46	26	56	46	76
20.20	196 196	13	46	23	56	43	76
20.25	196 246	13	46	23	56	43	76
20.30	196 296	23	56	43	76	63	96
20.35	196 346	23	56	43	76	63	96
20.40	196 396	13	56	33	76	53	96
25.25	246 246	23	56	43	76	63	96
25.30	246 296	23	56	43	76	63	96
25.35	246 346	13	56	33	76	53	96
25.40	246 396	13	56	33	76	53	96
25.45	246 446	13	56	33	76	53	96
25.50	246 496	13	56	33	76	53	96
30.30	296 296	23	56	43	76	63	96
30.35	296 346	13	56	33	76	53	96
30.40	296 396	13	56	33	76	53	96
30.45	296 446	13	56	33	76	53	96
30.50	296 496	13	56	33	76	53	96
35.35	346 346	13	56	33	76	53	96
35.40	346 396	33	76	53	96	73	116
35.45	346 446	33	76	53	96	73	116
35.50	346 496	33	76	53	96	73	116
35.55	346 546	33	86	63	116	83	136
35.60	346 596	33	86	63	116	83	136
40.40	396 396	33	76	53	96	73	116
40.45	396 446	33	76	53	96	73	116
40.50	396 496	33	86	63	116	83	136
40.55	396 546	38	86	68	116	88	136
40.60	396 596	33	86	63	116	83	136
45.45	446 446	28	76	48	96	68	116
45.50	446 496	43	96	63	116	83	136
45.55	446 546	43	96	63	116	83	136
45.60	446 596	43	96	63	116	83	136
45.70	446 696	29	96	49	116	69	136
50.50	496 496	29	96	49	116	69	136
50.55	496 546	29	96	49	116	69	136
50.60	496 596	29	96	49	116	69	136
50.70	496 696	29	96	49	116	69	136
50.80	496 796	49	116	69	136	89	156
55.55	546 546	29	96	49	116	69	136
55.60	546 596	29	96	49	116	69	136
55.70	546 696	29	96	49	116	69	136
55.80	546 796	49	116	69	136	89	156
55.90	546 896	49	116	69	136	89	156
60.60	596 596	29	96	49	116	69	136
60.70	596 696	49	116	69	136	89	156
60.80	596 796	49	116	69	136	89	156
60.90	596 896	49	116	69	136	89	156
70.70	696 696	49	116	69	136	89	156
70.80	696 796	49	116	69	136	89	156
70.90	696 896	49	116	69	136	89	156
70.100	696 996	49	116	69	136	89	156

Os sistemas Polimold vão deixar marcas em seu produto

(Ainda que sejam imperceptíveis)



Modelo CATPM2P
Impressão – Junho 2013

polimold
A única que você confia.



310954-QM

Estrada dos Casa, 4585 - B. Alvarenga
São Bernardo do Campo - SP - CEP 09840-000
Tel.:+ 55 11 4358 7300 - Fax.:+ 55 11 4358 7311
e-mail: vendas@polimold.com.br - www.polimold.com.br

A POLIMOLD RESERVA-SE O DIREITO DE EFETUAR ALTERAÇÕES DE CARACTERÍSTICAS, ILUSTRAÇÕES, ESPECIFICAÇÕES TÉCNICAS E DIMENSÕES A QUALQUER MOMENTO E SEM PRÉVIO AVISO.